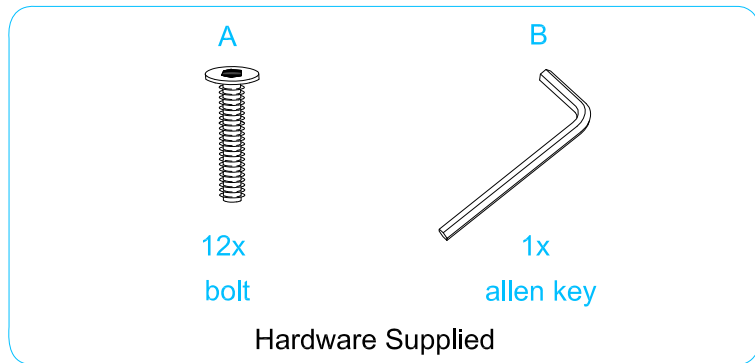


# Orlando Bassinet

## Assembly Instructions

Thank you for your purchase.  
Please follow the manufacturers assembly instructions in detail to ensure the safety features of the cot are not compromised.



**WARNING** - Failure to follow these warnings and the instructions could result in serious injury or death.

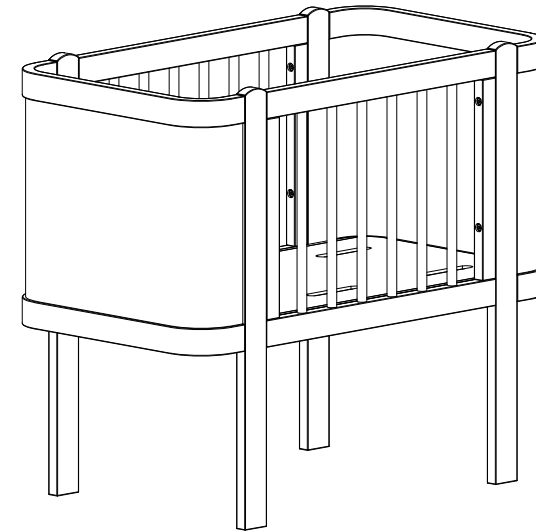
**WARNING - FALL HAZARD** - To help prevent falls, do not use this product when the infant begins to push up on hands and knees or has reached 85cm height, whichever comes first.

**WARNING** - To reduce risk of SIDS, pediatricians recommend healthy infants be placed on their backs to sleep, unless otherwise advised by your physician.

**WARNING - FALL HAZARD** - Always check the bassinet is securely locked on the base/stand by pulling upwards on the bassinet bed.

[mocka.co.nz](http://mocka.co.nz) | [mocka.com.au](http://mocka.com.au) | PO BOX 6171, Maroochydore BC, QLD, 4558

# mocka



**WARNING** - If a sheet is used with the pad, use only the one provided by the bassinet or cradle manufacturer or one specifically designed to fit the dimension of the bassinet or cradle mattress.

**WARNING** - Strings can cause strangulation. Do not place items with a string around a child's neck, such as hood strings or pacifier cords. Do not suspend strings over a bassinet or cradle or attach strings to toys.

**WARNING - SUFFOCATION HAZARD** - Infants have suffocated:

- In gaps between extra padding and side of bassinet/cradle, and
- On soft bedding

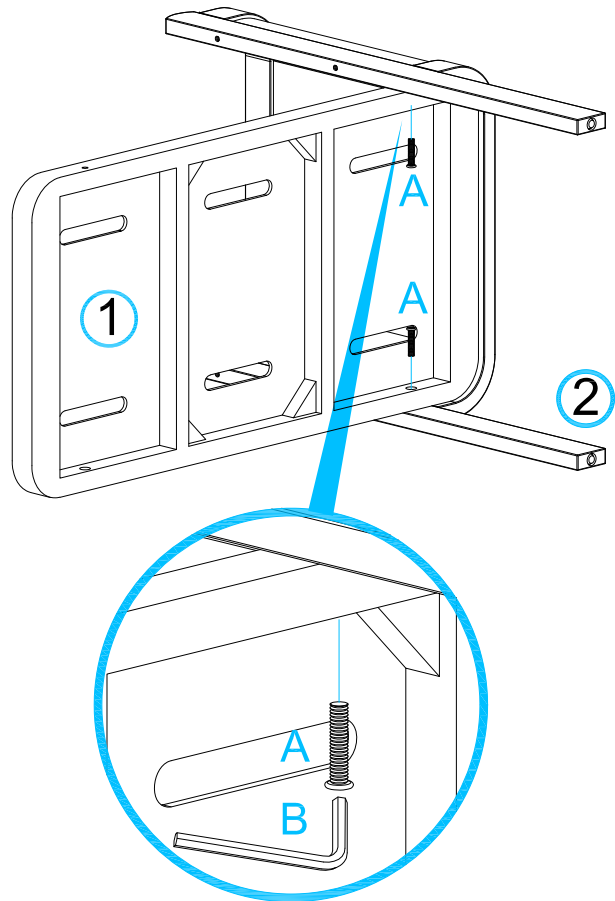
Use only the pad provided by manufacturer. NEVER add a pillow, comforter, or another mattress for padding.

1

# Orlando Bassinet

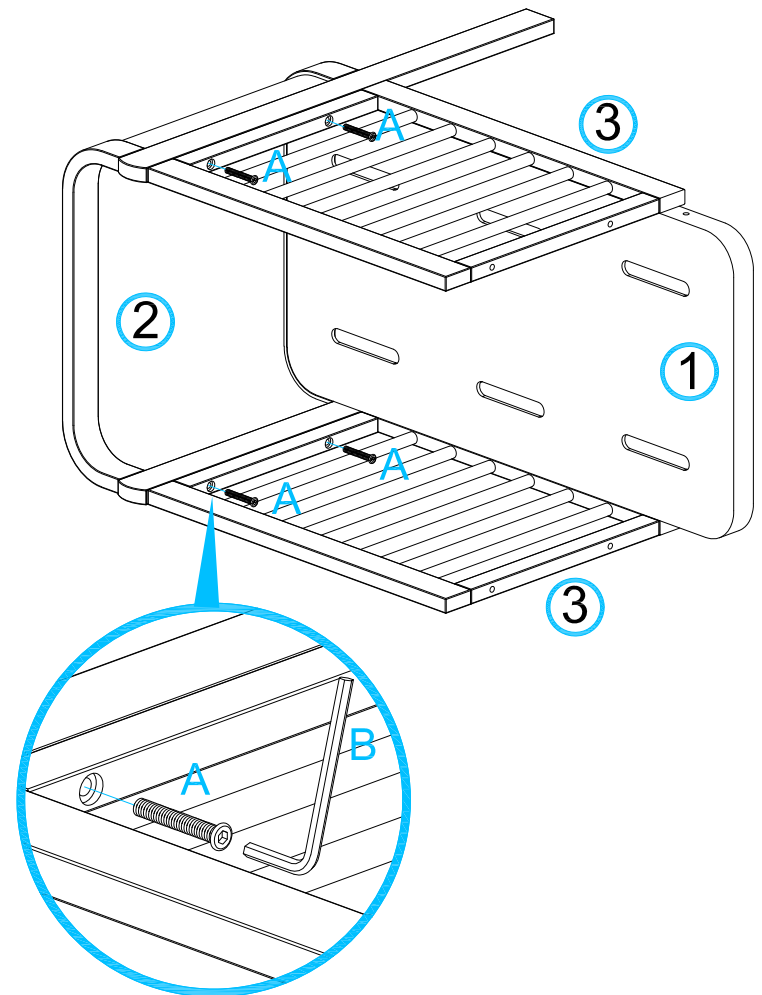
## Assembly Instructions

1



Attach panel [1] to 1x panel [2] with 2x bolts (A). Tighten all bolts with allen key (B).

2

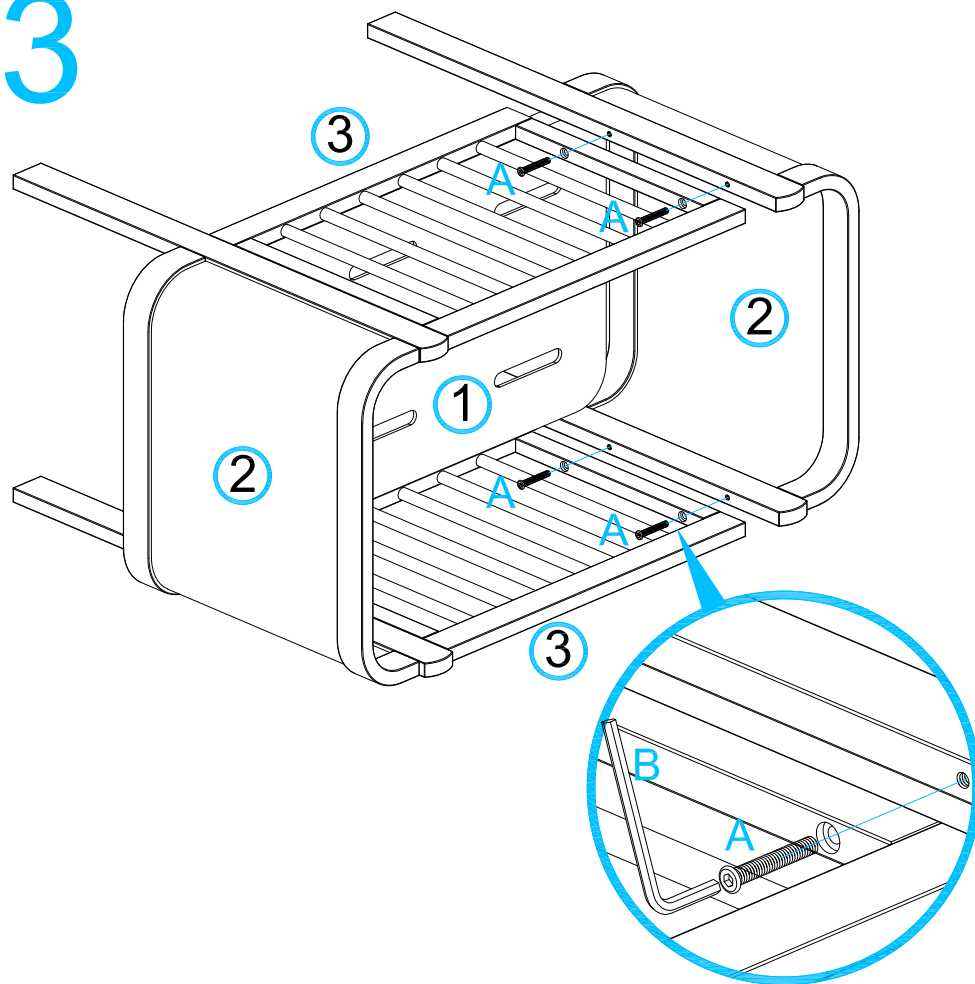


Attach 2x panels [3] to panel [2] with 4x bolts (A). Tighten all bolts with allen key (B).

# Orlando Bassinet

## Assembly Instructions

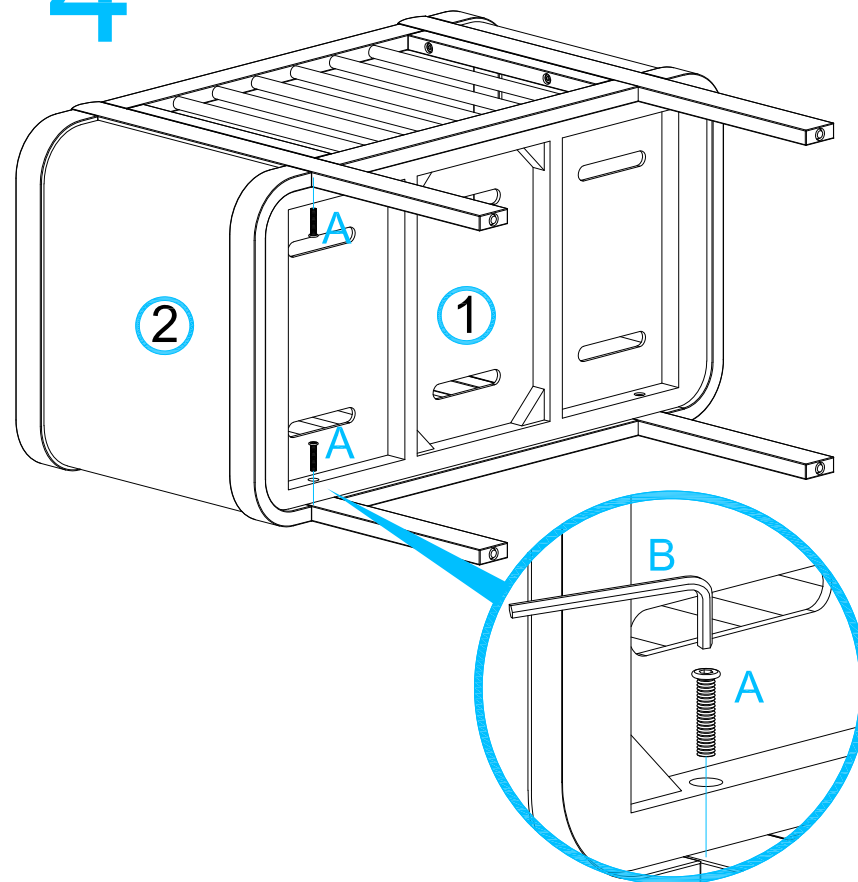
3



Attach 2x panels [3] to panel [2] with 4x bolts (A). Tighten all bolts with allen key (B).

# mocka

4



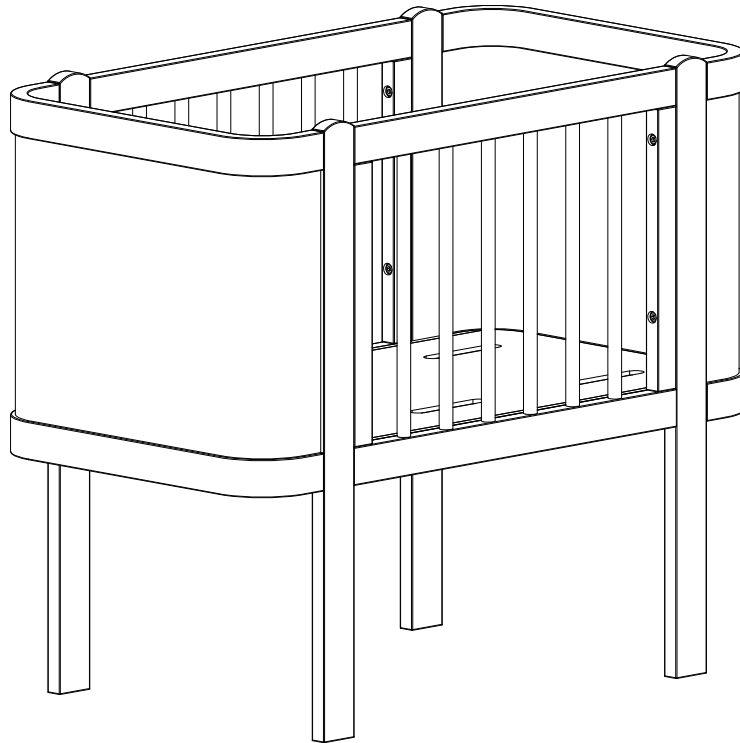
Attach panel [1] to panels [2] with 2x bolts (A). Tighten all bolts with allen key (B).

# Orlando Bassinet

## Assembly Instructions

mocka

5



All done! Regularly check all screws are suitably tightened.  
Place the correct size mattress into the bassinet before use.  
To clean use a damp cloth, avoiding the use of detergents  
or abrasives.  
Once assembled lift furniture into place, do not drag.